

Telescopic Handlers

T 35-6 T 32-7 T 36-7 T 41-7 T 33-10

Lift Height

6.0 – 10.0 m / 19'8" – 32'10" ft in

Lift Capacity

3.2 – 4.1 t

Engine

Stage V

Stage IIIA/Tier 3



LIEBHERR

Performance

Infinitely Variable Travel Drive
and Maximum Manoeuvrability

Efficiency

Low Consumption
and Low Costs

T 35-6

Lift Height 6.0 m/19'8" ft in

Lift Capacity 3.5 t

Engine Power 100 kW/136 HP

Hydrostatic Travel Drive
with electronic control

T 32-7

Lift Height 7.0 m/23' ft in

Lift Capacity 3.2 t

Engine Power 100 kW/136 HP

Hydrostatic Travel Drive
with electronic control

T 36-7

Lift Height 7.0 m/23' ft in

Lift Capacity 3.6 t

Engine Power 100 kW/136 HP

Hydrostatic Travel Drive
with electronic control

T 41-7

Lift Height 7.0 m/23' ft in

Lift Capacity 4,1 t

Engine Power 100 kW/136 HP

Hydrostatic Travel Drive
with electronic control

T 33-10

Lift Height 10.0 m/32'10" ft in

Lift Capacity 3,3 t

Engine Power 100 kW/136 HP

Hydrostatic Travel Drive
with electronic control



Reliability

Meeting Daily Requirements

Comfort

Ease of Operation and Optimum Overview

Maintainability

Simple Maintenance and Repairs



Performance



Infinitely Variable Travel Drive and Maximum Manoeuvrability

The tried-and-tested hydrostatic travel drive with infinitely variable acceleration without shifting gear and good manoeuvrability guarantees quick work processes even in limited spaces. The construction machine can be used universally and is solid from the ground up. It is designed for maximum performance in various applications. High load capacities, intuitive operation and high performance components allow the driver to complete his work quickly and reliably.

High Load Capacities

Excellent Weight Distribution

The newly designed frame and balanced wheelbase ensure a low centre of gravity. As a result, Liebherr's telescopic handler performs with impressive stability when loading and stacking.

Optimised Boom Design

The robust telescopic boom is mounted low on the frame. Strong slide bearings allow for perfect guidance even with heavy loads. The hoist and telescopic cylinders feature end position damping to protect the driver and the machine when moving heavy loads.



Intelligent Interaction

Powerful Operating Hydraulics

The optimised operating hydraulics in interaction with the drive and the diesel engine ensure precise working cycles and short cycle times.

Modern Diesel Engine

The high-torque power pack with Common-Rail injection system ensures a high level of reliability and excellent power delivery in the most demanding situations.

Liebherr Travel Drive

The infinitely variable hydrostatic travel drive and the many years of Liebherr know-how guarantee excellent driving performance in every operating situation.



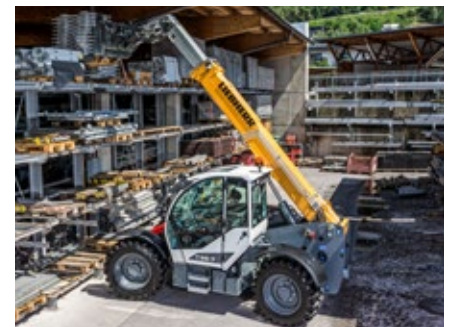
Compact and Optimised Cooling

Simple Selection of Steering Modes

All steering modes can be selected comfortably via an operating lever: Front wheel steering, all-wheel steering and crab steering. In addition, the fourth steering mode allows the rear axle to be locked in any position, whereby front wheel steering is engaged on full wheel lock. An LED keeps the driver updated on the neutral position of the wheels.

Cooling Guaranteed

The sophisticated air cooling, in combination with the suction fan and large size cooling unit, keeps the machine at an ideal operating temperature even on hot days. As an option, a reversible fan can be used to free the air intake surface of any dirt or contamination.



High Load Capacities

- The Liebherr telescopic handler has a high load capacity at the maximum reach and lifting height.
- The optimised kinematics ensure maximum manoeuvrability when using the fork and bucket functions.

Superior Drive System

- The stepless speed control allows the handler to be driven without shifting gear and totally free from jolts.
- Practically no brake wear
- Low fuel consumption
- Precise, rapid and safe manoeuvring

Compact and Manoeuvrable

- The continual limited-slip differential of 45% allows work on even the most difficult terrain.
- The optimised kinematics ensure maximum manoeuvrability when using the fork and bucket functions.

Efficiency



Low Consumption and Low Costs

The Liebherr telescopic handlers are all-rounders that will complement your existing machine fleet and further increase it's efficiency. Many different optional attachments allow universal use and increased utilisation of the machines. Top performance, low fuel consumption and minimum maintenance guarantee economy throughout the service life of the machine.

An All-Rounder

An Impressive Variety of Attachments

The wide range of attachments make the Liebherr telescopic handler an all-rounder. Whether a simple fork, one of the many buckets or a brush – every task is mastered.

Versatile and Flexible

Numerous options, such as guard grilles, manual steering kit and an extension for working circuit-3, allow the configuration of the machine to be perfectly matched to the most varied of applications. You can expect a machine that is tailored to your specific customer and application requirements.

Universal Use

The swivel mounted rear axle allows reliable and effortless driving on any terrain. With the 10 m machine (T 33-10), level compensation (up to 8°) ensures a firm footing at all times.



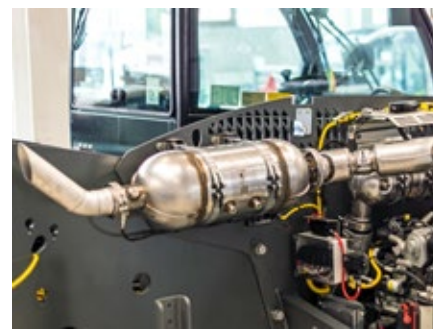
Flexible and Versatile

If the telescopic handler is fitted with a hydraulic quick-release coupling, the attachments can be changed at the touch of a button. That saves time and money and increases productivity.



Easy Maintenance

Due to the transverse mounting position of the stage V engine, all control and maintenance points are easily accessible in the engine compartment, allowing daily maintenance to be performed in a simple and time saving manner.



After-Treatment Exhaust Gas

The exhaust gas is cleaned via a diesel oxidation catalytic converter, an additional diesel particulate filter combined with an SCR catalytic converter (AdBlue injection). This system complies with the exhaust gas emission limits for stage V.

Low Operating Costs

Low Fuel Consumption

The Liebherr drive concept is designed for high performance. The intelligent electronic controller of the hydrostatic travel drive guarantees maximum tractive force in every work situation. The interaction of the tried-and-tested drive components with the diesel engine and the hydraulic system reduces the fuel consumption at maximum performance.

Intelligent Cooling

The fan speed is electronically regulated and hydrostatically controlled depending on the temperature of the surroundings, hydraulic oil and engine. The cooler pack is easily accessible and easy to clean.

Easy Maintenance

Maximum accessibility to all maintenance points. Long maintenance intervals keep expenditure low and reduce daily work to a minimum. Options such as the central lubrication system contribute to the further reduction of repair times and increased availability of the machine.

Reliability



Meeting Daily Requirements

Robust and reliable: as characterised by Liebherr telescopic handlers. Advanced technology with high-quality materials and build quality guarantee maximum availability. A high level of utilisation and value is guaranteed in the long term.

Quality Right Down to the Last Detail

Tried-and-Tested Components

Only components that have been tested under the most rigorous conditions are used in Liebherr telescopic handlers.

Robust and Well-Thought-Out Design

With the robust quick coupler – suitable for Scorpion work attachments – all tools can be perfectly and reliably fitted. Attachments with a hydraulic function can be conveniently operated with a joystick via the double-acting hydraulic circuit-3 installed as standard. A double-acting additional hydraulic circuit with a leakage oil line and a socket can also be installed as an option.

Pressure Release for Hydraulic Circuit-3

The couplings do not require pressure to be applied to enable the attachments to be changed quickly and easily. Pressure release is available as an option and prevents unnecessary loss of oil or broken seals in the couplings.

Coherent Safety Control

Intelligent Overload Warning System

A warning system constantly informs the driver of the load status of the unit. Even before the unit can tip forwards, hydraulic lifting movements are slowed down right until stand-still (at this point a sufficient margin of safety is still retained). Beyond this point, only movements of the attachment, which reduce the risk of tipping, can be made.

To enable efficient filling of the bucket, stockpiling mode can be selected. In this setting, boom movements are not limited even if overload is detected, as long as the machine keeps moving forward.

In addition, the driver can temporarily de-activate the overload warning system.

Fuel Tank

Long working and application times are guaranteed with a holding capacity of 150 l/33 Imp.gal. The tank is positioned underneath the cab which provides optimum protection from damage.



Cable Protection

- The tried-and-tested protective braiding prevents wear and mechanical damage to the electrical system.
- In addition, condensation is inhibited to eliminate any risk of short circuiting.

Reliable Safety Systems

A wide variety of standard and optional safety devices enable safe working in every situation.

This includes:

- Halogen or LED lighting (option)
- End position damping (standard)
- Emergency lowering (option)
- Reversing and side movement camera (option)
- Inclination display on telescope (option)

Overload Warning System

For stacking, loading or lifting, the right setting can be selected according to requirements, ensuring safety and high-performance operation in compliance with EN 15000 – regardless of the situation.

Comfort



Ease of Operation and Optimum Overview

The cab of the telescopic handler from Liebherr is an ideal workplace. It provides an excellent all-around view, has a spacious interior, provides a safe working environment, and its ergonomic controls are ideal for relaxed and productive operation.

Unobstructed View

Low Pivot Point

During development, ensuring good operator visibility was of paramount importance. For this reason, the pivot point of the arm has been placed as low as possible so that the driver has a clear view both to the rear and to the right.

Safety Coupled with Large Windows

The soundproof ROPS/FOPS cab ensures a safe and pleasant working environment. Thanks to the extensive glazing and the deep windscreen, the driver always has a safe view to the attachment and the surroundings.



Effortless Operation

One-Hand Operation

All the functions of the boom are conveniently controlled with the right hand using a joystick. Even forward and reverse direction can be selected on the joystick. This means the driver can always keep one hand on the steering wheel and the other on the joystick. This easy and ergonomic operation provides comfort and safety for long working days.

Combined Inch-Brake Pedal

The speed is reduced by pressing the inch-brake pedal. Pressing further down activates the brake function. The operator controls the engine and working speeds with his right foot using the accelerator pedal.



Safe Position

Parking Brake

The parking brake is automatically electronically activated when the machine stops to prevent it from rolling away. A seat contact switch automatically detects that the parking brake must remain activated when the driver exits the telescopic handler. The parking brake is released by moving to the neutral position using the travel direction switch. This saves the driver reaching into the cab unnecessarily. The parking brake can also be engaged using a switch next to the joystick on the right.



Seat Comfort and Ergonomics

- The multi-adjustable sprung drivers seat can be individually adjusted to each driver.
- The steering column swivels to the appropriate position using foot activation as standard. The height can also be adjusted as an option.

Optimum Visibility in all Directions

- The innovative protective design of the roof window provides a perfect view of the load while also protecting the driver.
- The displays are optimally located at the front right in the driver's field of vision.

Fine Control of Movement Hydraulics

As an option to the manual steering pack, the maximum travel speed can be set using a continuously variable lever, for example to 5 km/h / 3.1 mph for driving with a sweeper. If the driver presses the accelerator fully down, the machine moves at a maximum of 5 km/h / 3.1 mph.

Maintainability



Simple Maintenance and Repairs

At Liebherr, superior service is more than a promise, it is a guarantee to every customer. Several production facilities and an extensive service network for construction equipment means close proximity, efficient structures, and fast service reaction times.

High-Performance Service

Solid Basis

When you buy a Liebherr telescopic handler, you enter a solid, long-term partnership. Our production facilities and service partners guarantee it.

Extensive Service Network

An extensive worldwide service network and service stations with the latest equipment guarantee rapid support whenever required. 98% of all spare parts are kept in stock and can be dispatched from our modern distribution centre at very short notice.

Comfortable Maintenance

In planning the new telescopic handlers, great emphasis was placed on ease of maintenance. As a result, all service points are readily accessible for daily inspection. Refuelling can be comfortably carried out at ground level.

Knowledge Ensures Value

Experience and Training

Comprehensive know-how ensures first-class and effective service and maintenance. This contributes significantly to availability and cost effectiveness. Liebherr customer service technicians undertake extensive training and continual education at the production plants. Their comprehensive knowledge provides you with fast, reliable service.

Continuous Dialogue with Users

We utilise the expert knowledge and practical experience of our customers to consistently optimise our machines and services – real solutions for real situations.

Competent Advice and Service

Experienced specialists provide decision making support for your specific requirements: application oriented sales support, service agreements, value priced repair alternatives, original parts management, preventative service measures, as well as remote diagnosis for troubleshooting and correction.



Highest Quality Service

Workshops with state-of-the-art equipment and customer-oriented service call planning guarantee fast supply of spare parts and provide the basis for high machine availability and cost effectiveness.

Time and Cost Savings

- All service points are centrally located and readily accessible. Daily inspection of the machine is organised in a simple and time saving manner due to the wideopening engine hood.
- Long service intervals save costs and minimise downtime.

Dependable Lubrications

Various lubrications methods are available in order to reduce maintenance of the machine to a minimum:

- Lubrication through outward extended lubrication points – Easy Lube
- Lubrication through three central points – Centralised Lube
- Lubrication through automatic central lube unit – Auto Lube

Technical Data



Engine

Deutz Diesel engine	TCD 3.6 L4 Emissions regulations EU Stage V or IIIA
Rated power ISO 14396	100 kW/136 HP at 2,300 rpm
Max. torque	500 Nm at 1,600 rpm
Displacement	3.6 l/220 in ³
Design	4-cylinder in-line engine, water-cooled, turbocharger, air-to-air aftercooler
Injection system	Electronic common-rail injection
Air filter	Dry air filter with safety cartridge and dust ejector
Cooling system	Hydrostatically powered, thermostatically controlled fan
Operating voltage	12 V
Batteries	12 V/180 Ah
Alternator	14 V/120 A
Starter	3.2 kW/4 HP



Travel Drive

Design	Stepless hydrostatic travel drive with axial piston variable displacement pump and hydro motor in a closed circuit, forward and reverse travel achieved by changing the flowdirection of the variable displacement pump
Filter system	Pressure filter for closed circuit
Control	Via electronic accelerator and combined brake-inch pedal, constant adjustment of tractive force at maximum diesel engine speed. Changes of direction can be selected using multifunction joystick (5 in 1)
Travel speed	Stepless variable 0 – 30 km/h / 18,5 mph 0 – 20 km/h / 12,4 mph (option)



Sound Levels

Operator sound exposure ISO 6396:1992	
L _{pA} (at the cab)	79 dB(A)
Exterior sound pressure 2000/14/EC	
L _{WA} (to the environment)	107 dB(A)



Brakes

Service brake	Deceleration effective on all four wheels by hydrostatic travel drive, hydrostatically operated wet multiple-disc brakes in the front axle (internal)
Parking brake	Internal hydraulic spring-loaded brakes inside the front axle



Operator's Cab

Cab	Resiliently mounted, closed cab with positive pressure ventilation. Integrated ROPS/FOPS structure, tinted safety glass for the single front and roof panel, windscreen wiper and washing system for front and rear windscreen, steering column inclination adjustable using foot pedal. The upper part of the cabin door can be opened 180 ° and locked at this position.
Operator's seat	Cushioned driver's seat, adjustable, with safety belt. Adjustable to suit weight of the driver
Ventilation	3-speed fan with fresh-air intake and filtering, 6 adjustable air nozzles, 2 air outlets on front windscreen, hinged rear window
Heating	Warm-water heating
Vibration emission	
Hand/arm vibrations	<2.5 m/s ² , according with ISO 5349-1:2001
Whole-body vibrations	0.19 – 0.71 m/s ² , complies with technical report ISO/TR 25398:2006
Measuring inaccuracy	According with standard EN 12096:1997



Tyres

Standard tyre equipment	Mitas MPT 04 – 400/70-24
Design	Tubeless tyres on one-piece rims
Special tyre equipment	As specified by manufacturer



Steering

Design	Hydraulic steering of front and rear axles
Types of steering	Steering modes 3 + 1 manually switchable: <ul style="list-style-type: none"> – Front wheel steering (for road driving) – Four-wheel steering- crab steer – Crab steer – 4th steering type is the lockable rear axle in any position LED display of the neutral position.

Axles

Drive	All-wheel drive
Front axles	Steering knuckle control, rigid mounting, at 10 m model level adjustment with 8° oscillation
Rear axles	Steering knuckle control, fitted to swing with a 11° oscillation
Differential	Automatic 45% limited-slip differential in the front axle
Transmission	Planetary gear in the wheel hubs

Refill Capacities

Fuel tank	150 l/33 Imp.gal
Diesel Exhaust Fluid (DEF) tank	10 l/2.2 Imp.gal
Cooling system	18 l/4 Imp.gal
Engine oil (incl. filter change)	8.5 l/1.9 Imp.gal
Hydraulic tank	96 l/28.6 Imp.gal
Total hydraulics 6 m and 7 m models	140 l/30.8 Imp.gal
Total hydraulics 10 m model	150 l/33 Imp.gal
Differential gears front	8.5 l/1.9 Imp.gal
Differential gears rear	8.5 l/1.9 Imp.gal
Front axle hub, each	1.0 l/0.2 Imp.gal
Rear axle hub, each	1.0 l/0.2 Imp.gal

Performance Data

	T 35-6	T 32-7	T 36-7	T 41-7	T 33-10
Operating weight with standard forks, with a full fuel tank, minimum configuration, standard tyres and without operator	kg/ 7,320/ lb 16,138	7,280/ 16,050	7,310/ 16,116	7,460/ 16,446	8,050/ 17,747
Max. lift capacity	kg/ 3,500/ lb 7,716	3,200/ 7,055	3,600/ 7,937	4,100/ 9,039	3,300/ 7,275
Max. lift height	mm/ 6,132/ ft in 20'1"	6,925/ 22'9"	6,925/ 22'9"	6,925/ 22'9"	9,747/ 32'
Max. forward reach to front carriage	mm/ 3,204/ ft in 10'6"	4,096/ 13'5"	3,996/ 13'1"	4,001/ 13'2"	7,176/ 23'7"

Hydraulics

Hydraulic system	Fixed displacement pump
Pump flow max.	106 l/min./35.20 Imp.gpm at 2,300 rpm
Max. operating pressure	240 bar ¹⁾ /3,480 psi ¹⁾ or 270 bar ²⁾ /3,915 psi ²⁾
Filter system	Return oil filter and intake filter
Control	Multifunction joystick (5 in 1)
Controlled functions	Lift, lower, tipping inwards, tipping outwards, retract, extend, close, open, forwards, backwards
Control valves	Load-control valves on lifting, tilt and telescopic cylinders
End position damping	Lift, lower, retract
Max. flow rate at font working circuit	100 l/min./22 Imp.gpm

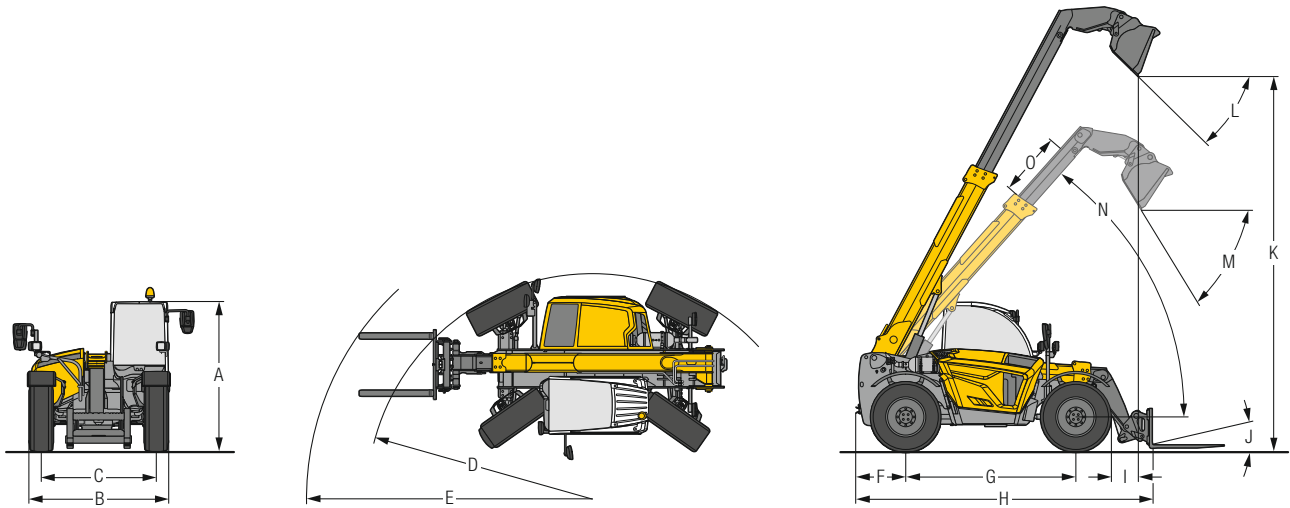
¹⁾ T 32-7 and T 35-6

²⁾ T 36-7, T 41-7 and T 33-10

Cycle Times (without load, without end position damping)

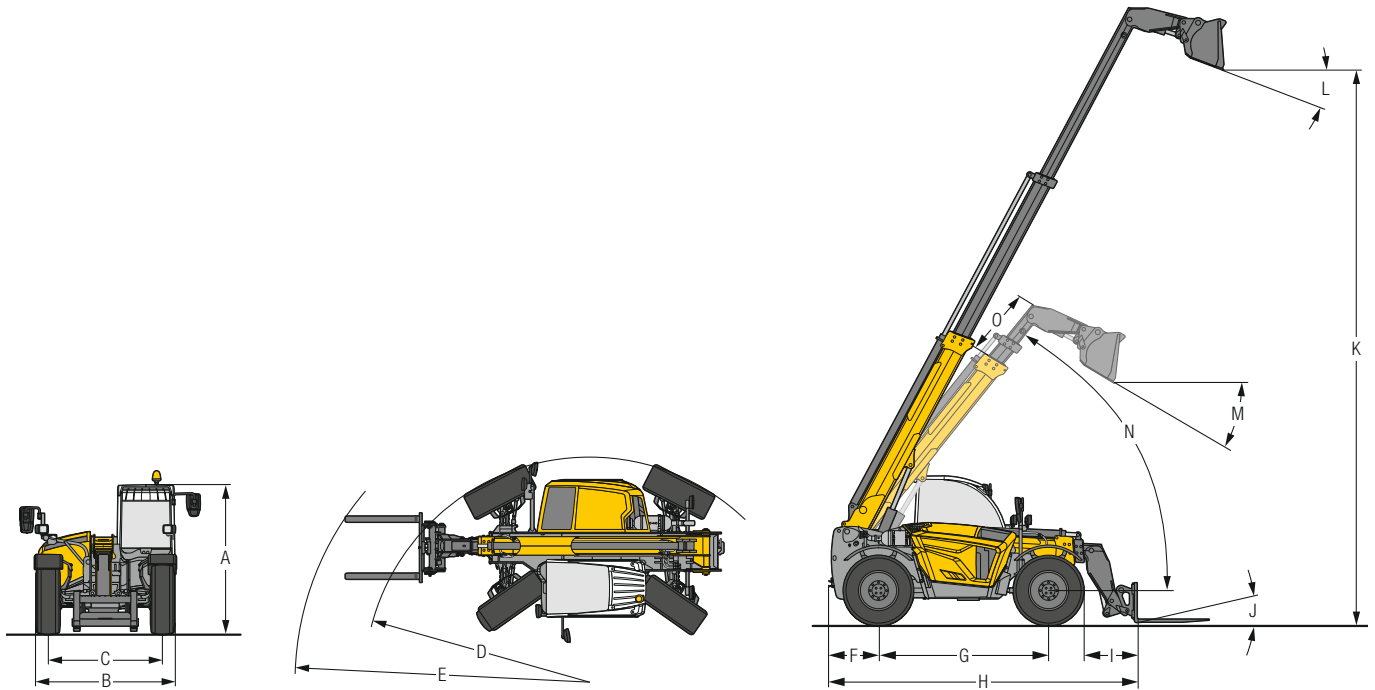
	T 35-6	T 32-7	T 36-7	T 41-7	T 33-10
Lifting	sec 6.8	6.8	6.8	7.0	6.9
Lowering	sec 5.0	5.0	5.0	6.2	5.5
Extend	sec 5.3	6.4	6.4	7.1	18
Retract	sec 3.5	4.0	4.0	5.0	9.5
Tilting inwards, full angle	sec 3.7	3.7	3.7	3.7	3.7
Tilting outwards, full angle	sec 3.3	3.3	3.3	3.3	3.0

Dimensions



Dimensions (all specifications with standard tyres, standard fork or standard bucket (0.9m³/1.18 yd³))

		T 35-6	T 32-7	T 36-7	T 41-7
A Height over cab	mm	2,465	2,465	2,465	2,465
	ft in	8'0"	8'0"	8'0"	8'0"
B Overall width over standard tyres	mm	2,327	2,327	2,327	2,327
	ft in	7'8"	7'8"	7'8"	7'8"
C Track gauge	mm	1,920	1,920	1,920	1,920
	ft in	6'4"	6'4"	6'4"	6'4"
D Outside turning radius over tyres	mm	3,812	3,812	3,906	3,906
	ft in	12'6"	12'6"	12'10"	12'10"
E Outside turning radius over forks	mm	4,610	4,850	4,859	4,859
	ft in	15'1"	15'11"	15'11"	15'11"
F Rear overhang	mm	784	784	784	784
	ft in	2'7"	2'7"	2'7"	2'7"
G Wheels base	mm	2,750	2,750	2,850	2,850
	ft in	9'0"	9'0"	9'4"	9'4"
H Overall length to front carriage	mm	4,606	4,905	4,905	4,905
	ft in	15'1"	16'1"	16'1"	16'1"
I Reach at max. lifting height with extended telescope and max. tip out angle	mm	125	549	449	449
	in	4.92"	21.61"	17.68"	17.68"
J Max. tip out angle, lower pallet fork		12.9°	12.9°	12.9°	12.9°
K Dumping height at max. lifting angle of 61.9° with extended telescope and max. tip out angle	mm	5,441	6,235	6,235	6,235
	ft in	17'10"	20'5"	20'5"	20'5"
L Max. tip out angle, standard bucket at max. lifting angle		44.4°	44.4°	44.4°	44.4°
		57.2°	58.1°	58.1°	58.1°
M Max. tip out angle, standard bucket at 4 m loading edge		57.2°	58.1°	58.1°	58.1°
		58.1°	58.1°	58.1°	58.1°
Ground clearance (middle of vehicle)	mm	405	405	405	405
	ft in	1'4"	1'4"	1'4"	1'4"
Max. rotation angle, machine mounting		150°	150°	150°	150°



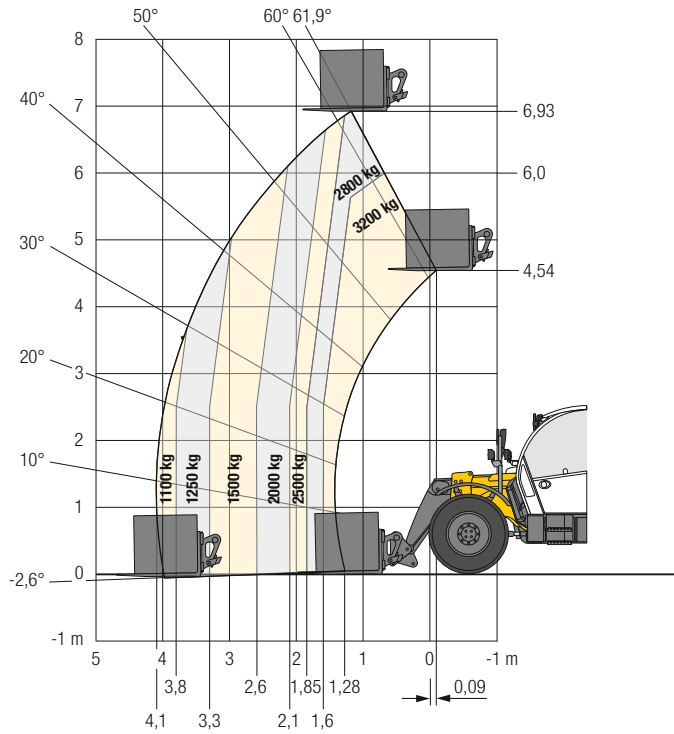
Dimensions (all specifications with standard tyres, standard fork or standard bucket (0.9m³ / 1.18 yd³))

			T 33-10
A Height over cab	mm		2,465
	ft in		8'11"
B Overall width over standard tyres	mm		2,327
	ft in		7'8"
C Track gauge	mm		1,920
	ft in		6'4"
D Outside turning radius over tyres	mm		3,906
	ft in		12'10"
E Outside turning radius over forks	mm		5,020
	ft in		16'6"
F Rear overhang	mm		784
	ft in		2'7"
G Wheels base	mm		2,850
	ft in		9'4"
H Overall length to front carriage	mm		5,104
	ft in		16'9"
I Reach at max. lifting height with extended telescope and max. tip out angle	mm		2,339
	in		7'8"
J Max. tip out angle, lower pallet fork			12°
K Dumping height at max. lifting angle of 61.9° with extended telescope and max. tip out angle	mm		9,258
	ft in		30'4"
L Max. tip out angle, standard bucket at max. lifting angle			20.4°
M Max. tip out angle, standard bucket at 4 m loading edge			31.2°
Ground clearance (middle of vehicle)	mm		405
	ft in		1'4"
Max. rotation angle, machine mounting			126°

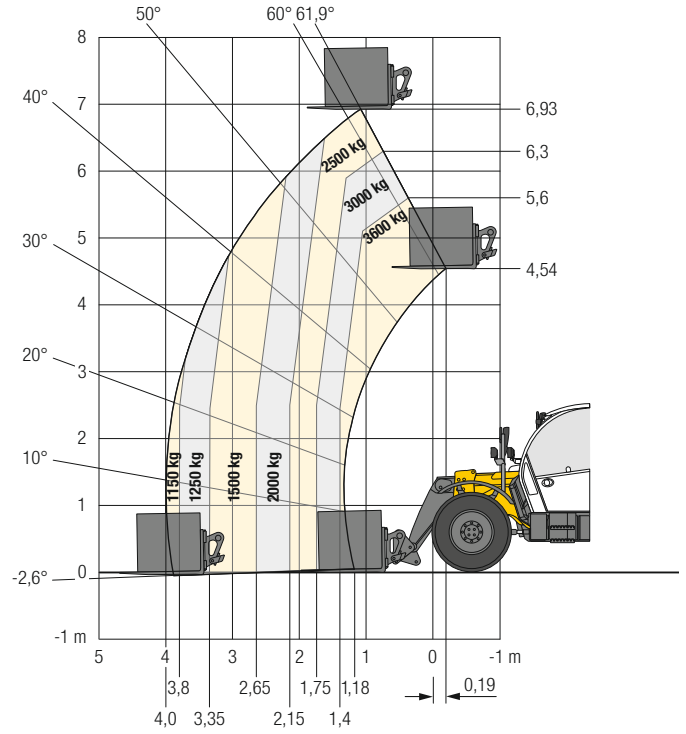
Load Charts (acc. to EN 1459, appendix B)

All specifications with standard quick coupler, load centre 500 mm/1'8" ft in, standard tyres and standard fork

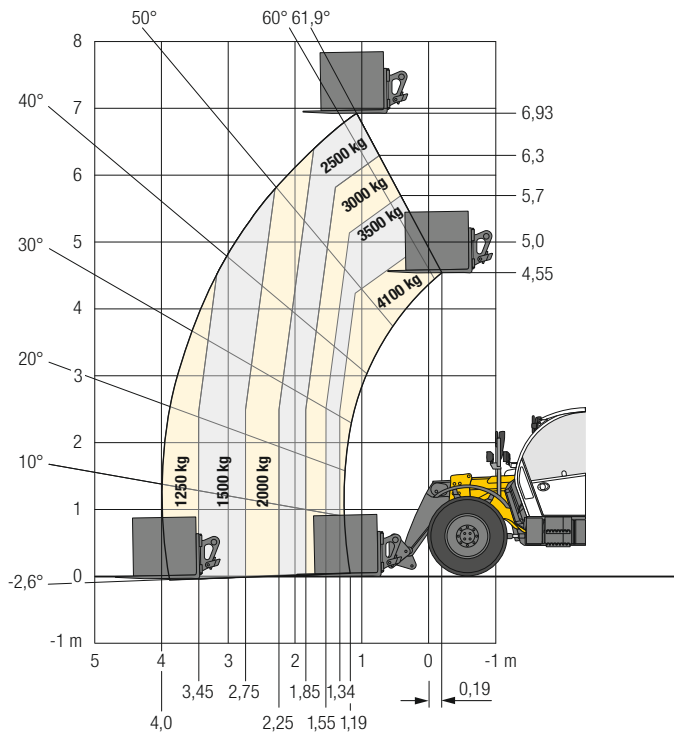
T 32-7



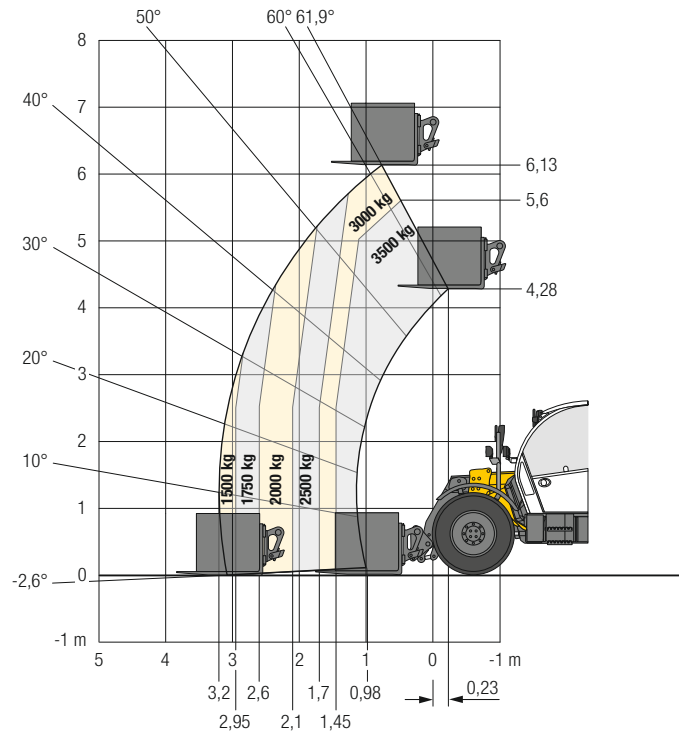
T 36-7



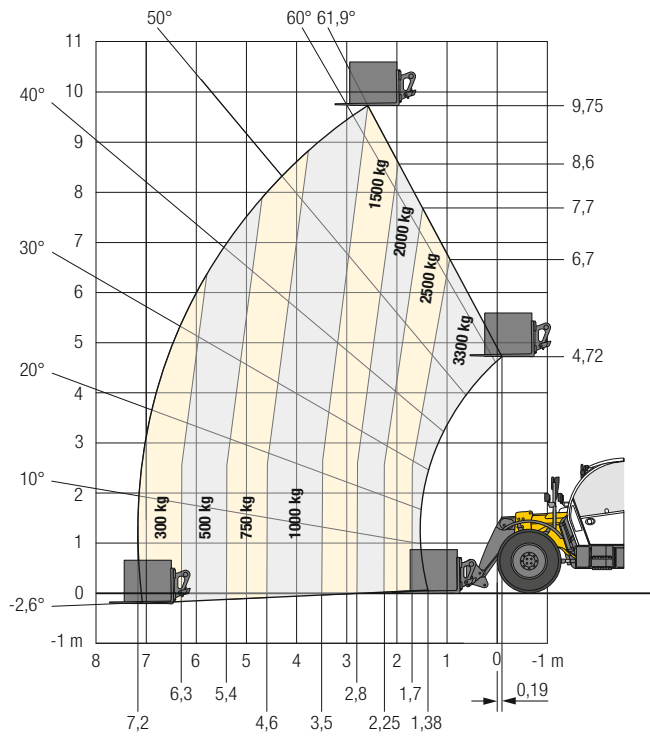
T 41-7



T 35-6



T 33-10



Equipment

Base Machine

2 piece telescopic boom (at 6 m and 7 m models)	•
3 + 1 steering modes manually switchable	•
3 piece telescopic boom (at 10 m model)	•
45% limited slip differential in front axle	•
7 pin rear plug socket	+
Auto Hill Assist	•
Boom guidance on the base frame	+
Boom suspension – Comfort Drive	+
Front axle level compensation (for 10 m model)	•
Fuel preheat	+
Hydraulic fluid level monitor	+
Illuminated licence plate holder	+
Inch brake pedal	•
LiDAT – Data transmission system	+
Lubrication preparation for Auto-Lube	+
Lubrication through automatic central lube unit – Auto-Lube	+
Lubrication through outward extended lubrication points – Easy-Lube	+
Lubrication through three central points – Centralised-Lube	+
Main frame and under chassis cover	+
Main frame cover	+
Mirror with view of towing hitch	+
Rear axle with 11° oscillation angle	•
Road-use registration Germany	+
Special paint scheme	+
Tool kit	+
Toolbox with tool kit	+
Towing hitch front	+
Towing hitch rear	+
Towing hitch with automatic interlock	+
Wax protection for aggressive media (wax protection on telescopic head and on the unit front)	+
Wax protection for sea transport	+

Hydraulic System

Constant flow rate for hydraulic system at telescopic head	+
Dirt deflector on boom	+
Extension for hydraulic circuit-3 (hydraulic and electric)	+
Hydraulic circuit-3 at telescopic head	•
Hydraulic fluid preheat via external 230 V power supply	+
Hydraulic pump, flow rate 106 l/min./35.20 Imp.gpm	•
Hydraulic system can be deactivated (for road travel)	•
Leakage oil line	+
Pressure release for hydraulic system at telescopic head	+
Rear hydraulics, double acting	+

Operator's Cab

12 V power socket	•
2 part driver's door (upper part can be opened 180°)	•
Air-conditioner	+
B/W display 3.5"	•
Coat hook	•
Dome light	•
Halogen drive lighting	•
Heated rear and right screen	+
Heater	•
Interior mirror	+
Multifunction bracket	+
Multifunction joystick (5 in 1)	•
Operator's seat, air-suspended including heated seat and back rest extension	+
Operator's seat, manually adjustable with fabric cover and backrest extension	+
Operator's seat, manually adjustable with leatherette cover	•
Radio preparation kit	+
Radio with USB	+
Steering column inclination adjustable using foot pedal	•
Steering column with multiple adjustment (height, inclination and steering wheel angle)	+
Stowage compartment below the armrest	•
Stowage compartment below the seat	•
Sun visor for roof and front window	+
USB charging socket (2 outlet)	•
Windshield wiper and washer boom extension for roof window	•
Windshield wipers and washer system front with intermittent function	•
Windshield wipers and washer system, rear	•
Working lights directed onto towing hitch (Halogen or LED)	+
Working lights directed to the left and right (Halogen or LED)	+
Working lights on boom (Halogen or LED)	+
Working lights on the cab, front (Halogen or LED)	+
Working lights on the cab, rear (Halogen or LED)	+

Tyres

Alliance A580 – 460/70 R 24	+
Dunlop SP T9 – 405/70 R 24 MPT	+
Firestone Duraforce-Utility – 460/70 R24	+
Gumasol SP24 – 12.00-24 ¹⁾	+
Michelin BibLoad – 400/70 R20 foam filled ¹⁾	+
Michelin BibLoad – 460/70 R24	+
Michelin X Mine D2 12.00 R 24 TL ²⁾	+
Michelin XMCL – 460/70 R 24	+
Mitas MPT 01 – 405/70-20	+
Mitas MPT 01 – 405/70-24	+
Mitas MPT 04 – 400/70-24	•

• = Standard

+ = Option

¹⁾ Only for T 35-6, T 32-7 and T 41-7 available

²⁾ Only for T 36-7 and T 41-7 available

Equipment



Safety

Angle display on the boom	+
Anti-theft protection CESAR (Construction Equipment Security and Registration)	+
Anti-theft protection via ignition key	+
Back-up alarm, acoustic	•
Emergency exit via the rear window	•
Emergency lowering for boom	+
Emergency package (First aid kit, warning vest and warning triangle)	+
Emergency stop	•
End position damping for lifting, lowering and retract	•
Fire extinguisher	+
Hazard warning lights	•
Level indicator via spirit level	•
Lifting cylinder support (for maintenance work)	+
Overload warning system for Australia	+
Overload warning system with acoustic and visual signal in compliance with EN 15000	•
Protective grille for top and front windscreen	+
Protective grille for top windscreen	+
Rear view and side view camera	+
Rear view camera	+
ROPS/FOPS integrated	•
Rotating beacon yellow, hinged	+
Wheel chock (1x)	+
Wheel chock (2x)	+



Travel Drive

Air filter with automatic dust ejector	+
Emission stage IIIA	+
Emission stage V	•
Fan drive hydrostatic, stepless	•
Fan drive, reversible	+
Four-wheel drive, permanent	•
Manual control pack for engine and drive speed	+
Travel drive, hydrostatic	•
Travel drive: 20 km/h / 12.4 mph / 100 kW / 41 kN / 9,217 lbf drawbar pull	+
Travel drive: 30 km/h / 18.6 mph / 100 kW / 41 kN / 9,217 lbf drawbar pull	•



Attachments

Hydraulic quick coupler, Claas Scorpion	+
Hydraulic quick coupler, JCB Q-Fit	+
Hydraulic quick coupler, Liebherr Compact Wheel Loader	+
Hydraulic quick coupler, Manitou	+
Mechanical quick coupler, Claas Scorpion	•
Mechanical quick coupler, Manitou	+
Universal mounting plate for Claas Scorpion	+

• = Standard
+ = Option

Options and/or special attachments, supplied by vendors other than Liebherr, are only to be installed with the knowledge and approval of Liebherr in order to retain warranty.

The Liebherr Group of Companies



Diverse Product Range

The Liebherr Group is one of the largest construction equipment manufacturers in the world. Liebherr's quality products and services hold a high reputation in many industries. The wide range includes domestic appliances, aerospace and transportation systems, machine tools and maritime cranes.

Exceptional Customer Benefit

Every product line provides a complete range of models in many different versions. With both their technical excellence and superior quality, Liebherr products offer customers the highest benefits in practical applications.

State-of-the-art Technology

Liebherr attributes great importance to the product areas of core technology and components, in order to achieve its consistent, top-quality products. Important modules and components are developed and manufactured in-house, for instance, the entire drive and control technology for the construction equipment and mining trucks.

Worldwide and Family-Owned

Hans Liebherr founded the Liebherr family company in 1949. Since that time, the enterprise has steadily grown to a group of more than 140 companies with nearly 48,000 employees located on all continents. The corporate headquarters of the Group is Liebherr-International AG in Bulle, Switzerland. The Liebherr family is the sole owner of the company.

www.liebherr.us

WARNING

This product can expose you to chemicals including lead and lead compounds, which are known to the State of California to cause cancer and birth defects or other reproductive harm.
For more information go to www.P65warnings.ca.gov.

WARNING

Breathing diesel engine exhaust exposes you to chemicals known to the State of California to cause cancer and birth defects or other reproductive harm.

- ▶ Always start and operate the engine in a well-ventilated area.
- ▶ If in an enclosed area, vent the exhaust to the outside.
- ▶ Do not modify or tamper with exhaust system.
- ▶ Do not idle the engine except as necessary.

For more information go to www.P65warnings.ca.gov/diesel.

Liebherr-Werk Telfs GmbH

Hans Liebherr-Straße 35, A-6410 Telfs
 ☎ +43 50809 6-100, Fax +43 50809 6-7772
www.liebherr.com, E-Mail: lwt.marketing@liebherr.com
www.facebook.com/LiebherrConstruction